

SNC-WR630

Network Rapid Dome FHD Camera – W Series

SONY
make.believe

1080/60p Rapid Dome Camera Powered by IPELA ENGINE PRO™

- Maximum resolution of 1920 x 1080 pixels with the Exmor™ CMOS sensor
- Powerful 30x optical zoom capability
- Dynamic range equivalent to 130 dB in FHD mode achieved with View-DR technology
- Industry-leading levels of panning performance with a pan speed of 700°/s
- Gyroscopic Image Stabilizer
- Focal Plane Distortion Correction technology
- Defog Image Processing feature
- High frame rate of 60 frames per second (fps)



KEY FEATURES

- IPELA ENGINE PRO signal processing system developed based on Sony's unique signal processing and intelligent video analytics technologies to provide unique features such as a high frame rate, View-DR, XDNR, DEPA Advanced, Gyroscopic Image Stabilizer, Focal Plane Distortion Correction, and Defog Image Processing.
- Industry's leading 30x optical zoom capability to shoot various scenes over an extremely wide area, allowing capture of high-resolution images even from a great distance
- View-DR - Sony's innovative wide dynamic range technology - to capture objects clearly and adaptively even under very harsh, severe backlight or highlight conditions

IPELA
ENGINE PRO

View-DR



OFF



ON

Actual Images

- Gyroscopic Image Stabilizer to minimize the effect of camera shake or vibration, reducing any image blur
- Focal Plane Distortion Correction technology to correct any image distortion generated in a scene by the CMOS sensor focal plane phenomenon
- DEPA Advanced Intelligent Video Analytics to trigger an alarm based on user-defined rules



- Defog Image Processing feature to clear up fog, mist, and haze in a scene to achieve more visible images
- Visibility Enhancer (VE) to optimize the brightness and color reproduction of an image dynamically on a pixel-by-pixel basis while continuously adapting to the scene within the given dynamic range
- XDNR (eXcellent Dynamic Noise Reduction) technology for clear images without motion blur under low illumination



OFF



ON

Actual Images

- High frame rate of 60 fps to provide smoother and less blurry moving pictures
- Picture mode selectable from a range of camera scenes in the settings menu to optimize picture quality in various applications
- True D/N (Day/Night) function to switch to Day or Night mode depending on the light level
- VBR (variable bitrate) or CBR (constant bitrate) compression mode selectable to correspond with various network conditions
- Edge Storage function to record video and audio data with an SD/SDHC card attached to the camera
- Easy initial network settings by supplied SNC Easy IP Setup Guide application
- Smartphone viewer for accessing the camera from a smartphone
- ONVIF (Open Network Video Interface Forum) Profile S conformance



Connect Your Vision

IPELA™

SPECIFICATIONS

| | SNC-WR630 |
|------------------------------------|--|
| Camera | |
| Image Sensor | 1/2.8-type progressive scan Exmor™ CMOS sensor |
| Number of Effective Pixels | Approx. 2.38 Megapixels |
| Signal System | NTSC/PAL (switchable) |
| Sync System | Internal synchronization |
| Minimum Illumination (50 IRE) | Color: 1.4 lx (F1.6, View-DR OFF, VE OFF, AGC ON, 1/30 s, 30 fps) B/W: 0.15 lx (F1.6, View-DR OFF, VE OFF, AGC ON, 1/30 s, 30 fps) |
| Minimum Illumination (30 IRE) | Color: 1.0 lx (F1.6, View-DR OFF, VE OFF, AGC ON, 1/30 s, 30 fps) B/W: 0.1 lx (F1.6, View-DR OFF, VE OFF, AGC ON, 1/30 s, 30 fps) |
| Dynamic Range | Equivalent to 130 dB with View-DR technology |
| S/N Ratio | More than 50 dB (Gain 0 dB) |
| Gain | Auto/Manual (-3 dB to +48 dB) |
| Shutter Speed | 1/1 s to 1/10,000 s |
| Exposure Control | Full auto, Shutter priority, Iris priority, Manual |
| White Balance | ATW, ATW pro, Indoor, Outdoor, Fluorescent, Mercury lamp, Sodium vapor lamp, Metal halide lamp, White LED, One push, Manual |
| Lens | Auto-focus zoom lens |
| Powered Zoom | Yes |
| Zoom ratio | Optical zoom 30x Digital zoom 12x Total zoom 360x |
| Powered Focus | Yes |
| Auto Focus | Yes |
| Horizontal Viewing Angle | 65.0° to 2.3° |
| Vertical Viewing Angle | 36.6° to 1.3° |
| Focal Length | f = 4.3 mm to 129.0 mm |
| F-Number | F1.6 (Wide) to F4.7 (Tele) |
| Minimum Object Distance | 300 mm |
| Pan/Tilt Angle (Powered) | 360° endless rotation/220° |
| Pan Speed | 700°/s (max.)*1 |
| Tilt Speed | 700°/s (max.)*1 |
| Number of Preset Positions | 256 |
| Number of Tour Programs | 5 |
| Camera Features | |
| Day/Night | True D/N |
| e-Flip | Yes |
| Wide-D | View-DR |
| Tone Correction | Visibility Enhancer (VE) |
| Defog Image Processing | Yes*2 |
| Noise Reduction | XDNR |
| Image Stabilizer | Gyroscopic Image Stabilizer |
| Picture Mode | Yes |
| Privacy Masking (number) | 12 |
| Privacy Masking (shape) | Square |
| Privacy Masking (color/effect) | Opaque: 14 colors (Black, White, Red, Green, Blue, Cyan, Yellow, Magenta, Gray (6 scales)), Mosaic |
| Edge Storage | Yes |
| Image Memory | Yes |
| Memory Size for Image Memory | Approx. 16 MB |
| Memory Size for Pre/Post Buffer | Approx. 8 MB |
| Voice Alert | Yes |
| Vandal Resistant | No |
| Ingress Protection | No |
| Superimpose Number | 3 independent positions for characters (Codec, Date & Time, Event, Direction, Text (max. 64 characters)), 1 independent position for logo marks |
| Superimpose Language | English |
| Menu Language | English, Japanese, Chinese (simplified), Chinese (traditional), French, Spanish, German, Italian, Korean, Portuguese, Russian, Arabic, Hindi, Vietnamese, Thai |
| Smartphone viewer | Yes |
| Video | |
| Resolution | 1920 x 1080, 1280 x 720, 1024 x 576, 720 x 576, 720 x 480, 704 x 576, 640 x 480, 640 x 360, 352 x 288, 320 x 180, (H.264, JPEG) |
| Compression Format | H.264 (High/Main/Baseline Profile), JPEG |
| Maximum Frame Rate | H.264: 60 fps (1920 x 1080) JPEG: 60 fps (1920 x 1080) |
| Bitrate Compression Mode | CBR/VBR (selectable) |
| Range of Bitrate Setting | 64 Kbps to 32 Mbps |
| Bandwidth Control | JPEG |
| Multi Streaming Capability | Triple streaming |
| Number of Clients | 20 |
| Intelligent Video Analytics | |
| Analytics Architecture | DEPA Advanced |
| Intelligent Motion Detection | Yes |
| Face Detection | Yes |
| Tamper Alarm | Yes |
| Scene Analytics | Passing, Intrusion, Left Object Detection, Removed Object Detection |
| Audio | |
| Compression Format | G.711/G.726/AAC (16 kHz, 48 kHz) |
| System Requirements | |
| Operating System | Windows XP (32 bit) Professional Edition Windows Vista (32 bit) Ultimate, Business Edition Windows 7 (32/64 bit) Ultimate, Professional Edition Windows 8 Pro (32/64 bit) Microsoft DirectX 9.0c or higher |
| Processor | Intel Core™ 2, 2.8 GHz or higher |
| Memory | 2 GB or more |
| Web Browser | Microsoft Internet Explorer Ver. 7.0, Ver. 8.0, Ver. 9.0, Ver. 10.0 Firefox Ver. 19.0.2 (plugin free viewer only) Safari Ver. 5.1 (plugin free viewer only) Google Chrome Ver. 25.0 (plugin free viewer only) |

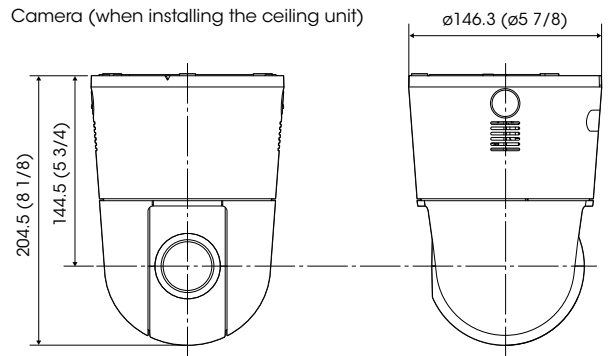
| | SNC-WR630 |
|-----------------------------|--|
| Network | |
| Protocols | IPv4, TCP, UDP, ARP, ICMP, IGMP*3, HTTP, DHCP, DNS, NTP, RTP/RTCP, RTSP over TCP, SMTP over HTTP, IPv6, HTTPS, SNMP (v1, v2c, v3), SSL |
| QoS | DSCP |
| Multicast Streaming Support | Yes |
| ONVIF Conformance | Profile S |
| Authentication | IEEE 802.1X |
| Interface | |
| Analog Video Output | BNC x1, 1.0 Vp-p, 75 Ω, unbalance, sync negative |
| Microphone Input | Mini jack (monaural), MIC IN/LINE IN: 2.5 V DC plug-in power |
| Line Input | Mini jack (monaural) |
| Line Output | Mini jack (monaural), Maximum output level: 1 Vrms |
| Network Port | 10BASE-T/100BASE-TX (RJ-45) |
| Alarm Input (Sensor Input) | x4, make contact, break contact |
| Alarm Output | x2, 24 V AC/DC, 1 A (mechanical relay outputs electrically isolated from the camera) |
| Serial Interface | RS-422/RS-485 (PELCO D protocol) |
| Card Slots | SD Card x 1 |
| Confirmed SD Card Type | 4/8/16/32GB SDHC (no support for SDXC) |
| General | |
| Power Requirements | IEEE802.3at compliant (HPoE), AC 24 V, DC 12 V |
| Power Consumption | 25.0 W max. |
| Operating Temperature | -5°C to +50°C (23°F to +122°F) |
| Cold Start Temperature | 0°C to +50°C (32°F to 122°F) |
| Storage Temperature | -20°C to +60°C (-4°F to +140°F) |
| Operating Humidity | 20% to 80% |
| Storage Humidity | 20% to 95% |
| Built-in Heater | No |
| Dimensions (W x H x D) | ø146.3 mm x 204.5 mm (ø5 7/8 inches x 8 1/8 inches) |
| Mass | Approx. 1.7 kg (3 lb 12 oz) |
| External Material | Base cabinet: PC+ABS Camera cabinet: PC+ABS Side cabinet: PC+ABS |
| External Color | Base cabinet: 4.4BG 8.4/0.2 Camera cabinet: 3.9PB 0.3/1.0 Side cabinet: 3.9PB 0.3/1.0 |
| Safety Regulations | JATE Technical Standard (LAN) UL2044, IEC60950-1 (CB) VCCI (Class A), FCC (Class A), IC (Class A) Emission: EN55022 (Class A) + EN50130-4 Immunity: EN55022 (Class A) + EN55024 Emission: AS/NZS CISPR22 (Class A) KCC EMC-TR |
| Supplied Accessories | CD-ROM (supplied programs) (1) Installation Manual (1) Ceiling unit (1) Ceiling bracket (1) Fixing screws (M4 x 10) (3) 3-pin power connector (1) BNC cable (1) I/O cable (1) Template (1) Cable clamp (1) Cable clamp fixing screws (M2.6 x 8, tapping screw) (2) |
| Optional Accessories | YFLD124C (Dome Cover Clear) YFLD124S (Dome Cover Smoked) YFCB630 (In-ceiling Bracket) |

*1 Available when the preset mode is ON.

*2 Available by software upgrade.

*3 SSM (Source Specific Multicast) is supported.

DIMENSIONS



Unit: mm (inches)

Distributed by

©2013 Sony Corporation. All rights reserved.

Reproduction in whole or in part without permission is prohibited. Features and specifications are subject to change without notice.

The values for mass and dimension are approximate. "SONY", "make.believe", "IPELA", "IPELA ENGINE PRO", "Exmor", and "DEPA" are trademarks of Sony Corporation. All other trademarks are the property of their respective owners.